



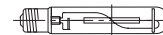
# 4. PLANE PROJECTOR 2000 466 ...



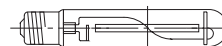
HIT 400 W E40



HIT 1000 W E40



HST 400W E40



HST 1000 W E40

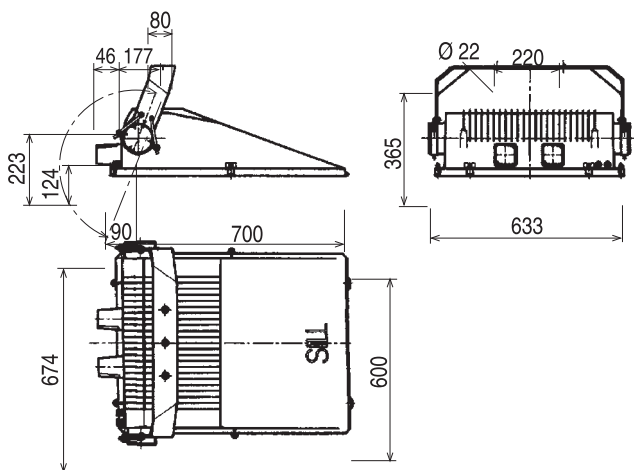


HQL-TS 1000 / 2000 W / D

Housing made from die cast aluminium Si12 with hinged safety glass captivated by knurled knobs for easy lamp replacement and electrical connection. Pivoted mounting bracket for ceiling, wall or pole mounting. Integral ignitor.

Control gear to be ordered separately.

IP rating: IP65



## 466 ...

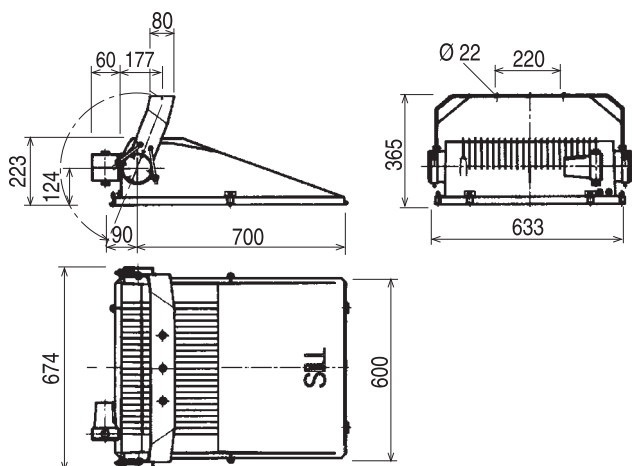
466 \* 080 42 2 x HIT/HST 400W E40, 4A



Accessories:

- 8 902 080 40 gear box, pfc HI/HS 2 x 400W 4A,
- 8 465 001 00 Anti-glare shield
- 8 565 002 00 Pole mounting clamp for column Ø 115 - 120

\* add light distributions 5 or 6



466 \* 100 42 HST 1000W E40

<sup>1)</sup> 466 \* 100 33 HIT-DE 1000 W/D/S Osram/Radium

<sup>1)</sup> 466 \* 200 33 HIT-DE 2000 W/D/S Osram/Radium

<sup>1)</sup>

Extras: Contact switch, additional charge

Accessories:

- 8 902 100 30 Gear box, pfc HI/HS 1000W,
- 8 902 201 30 Gear box, pfc HI 2000W, ballast,
- 8 465 001 00 Anti-glare shield
- 8 565 002 00 Pole mounting clamp for column Ø 115 - 120

\* add light distributions 5 or 6

